



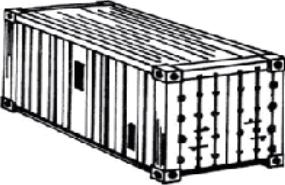
Container Specifications

Ocean Containers:

- [20' Dry Container](#)
- [20' Flat Rack Container](#)
- [20' Reefer Container](#)
- [20' Tank Container](#)
- [40' Dry Container](#)
- [40' Flat Rack Container](#)
- [40' Reefer Container](#)
- [40' High Cube Container](#)
- [40' High Cube Reefer Container](#)
- [45' Dry Container](#)

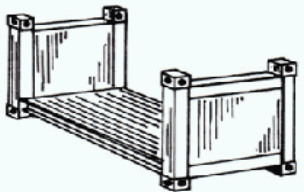
Air Containers:

- [E-Container](#)
- [EH-Container](#)
- [D-Container](#)
- [LDN-Container](#)
- [LD2-Container](#)
- [LD3-Container](#)
- [LD7-Container](#)
- [LD8-Container](#)
- [LD11-Container](#)
- [LD11-Pallet](#)
- [Type P9-Pallet](#)

	<p>Interior Length 19' 5" Interior Width 7' 6" Interior Height 7' 9 1/2" Cubic Capacity 1,165 cft Weight Capacity 33,000 lbs</p>
--	--

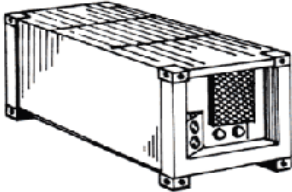
20' Container

[back to top](#)

	<p>Interior Length 19' 6" Interior Width 7' 5" Interior Height 6' 9 3/4" Weight Capacity 39,160 lbs</p>
---	---

20' Flat Rack

[back to top](#)

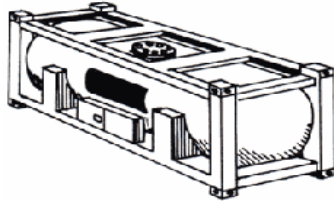
	<p>Interior Length 17' 10" Interior Width 7' 4 1/16" Interior Height 7' 3 1/4" Cubic Capacity 950 cft Weight Capacity 38,118 lbs</p>
---	--

20' Refrigerated Container

[back to top](#)



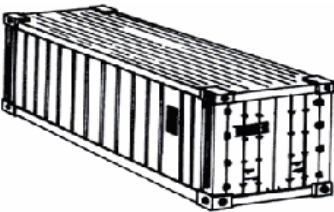
Container Specifications



20' Tank Container

Interior Length 20'
Interior Width 8'
Interior Height 8' 6"
Cubic Capacity 904 cft
Liquid Capacity 6,764 US Gallons

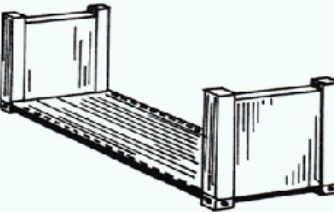
[back to top](#)



40' Container

Interior Length 39' 6 1/2"
Interior Width 7' 6"
Interior Height 7' 9 1/2"
Cubic Capacity 2,377 cft
Weight Capacity 44,000 lbs

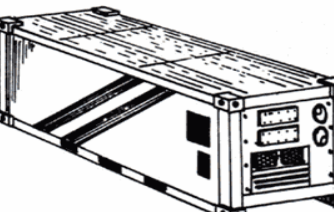
[back to top](#)



40' Flat Rack

Interior Length 39' 7"
Interior Width 8'
Interior Height 6' 9 3/4"
Weight Capacity 55,600 lbs

[back to top](#)



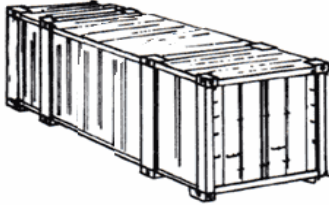
40' Refrigerated Container

Interior Length 36' 9 1/4"
Interior Width 7' 4 1/16"
Interior Height 4' 2 1/4"
Cubic Capacity 1,942 cft
Weight Capacity 57,120 lbs

[back to top](#)



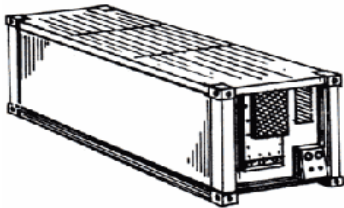
Container Specifications



40' High Cube Container

Interior Length 39' 6 1/2"
Interior Width 7' 8"
Interior Height 8' 9 1/2"
Cubic Capacity 2,684 cft
Weight Capacity 44,000 lbs

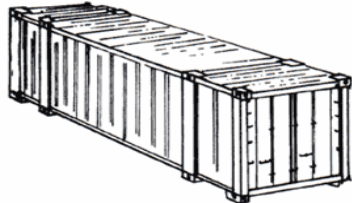
[back to top](#)



40' High Cube Refrigerated Container

Interior Length 37' 11 13/16"
Interior Width 7' 6"
Interior Height 8' 2 1/16"
Cubic Capacity 2,325 cft
Weight Capacity 56,790 lbs

[back to top](#)



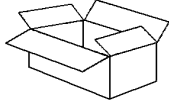
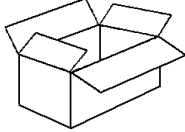
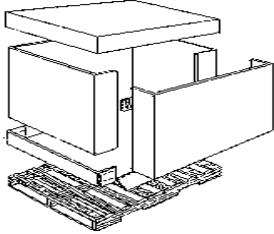
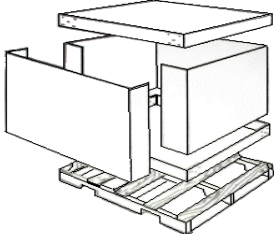
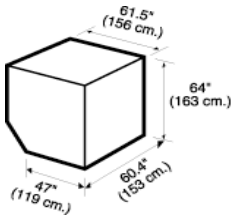
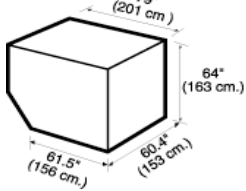
45' Container

Interior Length 44' 6 1/2"
Interior Width 7' 8"
Interior Height 8' 10"
Cubic Capacity 3,026 cft
Weight Capacity 44,000 lbs

[back to top](#)

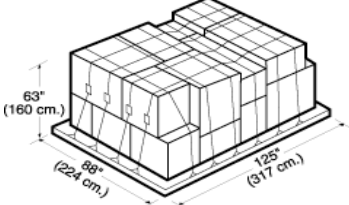
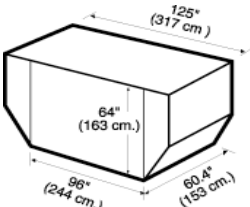
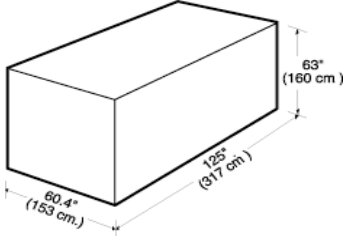
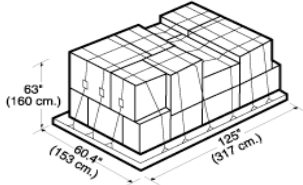
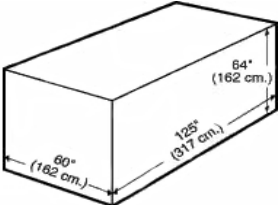


Container Specifications

<p>E Container</p> 	<p>42 x 29 x 25 1/2 Volume: 17.5 cft 350# DW FOL/RSC</p> <p style="text-align: right;">back to top</p>
<p>EH Container</p> 	<p>36 x 22 x 22 Volume: 9.5 cft 275# D/W/ RSC</p> <p style="text-align: right;">back to top</p>
<p>D Container</p> 	<p>58 x 42 x 45 58 x 41 x 6 (knocked down) Volume: 62.00 cft 350# D/W RSC</p> <p style="text-align: right;">back to top</p>
<p>LDN Container</p> 	<p>54 x 54 x 56 54 x 54 x 6 (knocked down) Volume: 92.00 cft 350# D/W FOL</p> <p style="text-align: right;">back to top</p>
<p>Type LD2 Container</p> 	<p>Equivalent to IATA Type 8D Internal capacity: 116 cu. ft./3.3 cu. m. Maximum gross weight: 2,700 lb./1,225 kg. External dimensions: (L x W x H) 47" x 60.4" x 64" 119 cm. x 153 cm. x 163 cm.</p> <p style="text-align: right;">back to top</p>
<p>Type LD3 Container</p> 	<p>Equivalent to IATA Type 8 Internal capacity: 153 cu. ft./4.3 cu. m. Maximum gross weight: 3,500 lb./1,588 kg. External dimensions: (L x W x H) 61.5" x 60.4" x 64" 154 cm. x 153 cm. x 163 cm.</p> <p style="text-align: right;">back to top</p>



Container Specifications

<p>Type LD7 Container</p> 	<p>Equivalent to IATA Type 5 External displacement: 350 cu. ft./9.9 cu. m. Maximum gross weight: 10,200 lb./4,627 kg. Maximum external dimensions: (L x W x H) 125" x 88" x 63" 317 cm. x 224 cm. x 160 cm.</p>	<p>back to top</p>
<p>Type LD8 Container</p> 	<p>Equivalent to IATA Type 6A Internal capacity: 247 cu. ft./7 cu. m. Maximum gross weight: 5,400 lb./2,450 kg. External dimensions: (L x W x H) 96" x 60.4" x 64" 244 cm. x 153 cm. x 163 cm.</p>	<p>back to top</p>
<p>Type LD11 Container</p> 	<p>Equivalent to IATA Type 6 Internal capacity: 247 cu. ft./7 cu. m. Maximum gross weight: 7,000 lb./3,176 kg. External dimensions: (L x W x H) 125" x 60.4" x 63" 317 cm. x 153 cm. x 160 cm.</p>	<p>back to top</p>
<p>Type LD11 Pallet</p> 	<p>Equivalent to IATA Type 6 External displacement: 242 cu. ft./6.9 cu. m. Maximum gross weight: 7,000 lb./3,176 kg. Maximum external dimensions: (L x W x H) 125" x 60.4" x 63" 317 cm. x 153 cm. x 160 cm.</p>	<p>back to top</p>
<p>Type P9 Pallet</p> 	<p>Equivalent to IATA Type 6 Designed for the DC-10 aircraft Provided by Hawaiian Air cargo Height: 64.0" Internal capacity: 215 cu. ft. External displacement: 245 cu. ft. Allowable tare weight: actual weight Maximum gross weight: 6500 lbs. Maximum floor bearing weight: 200 lbs. per sq. ft.</p>	<p>back to top</p>